

UMK-BE 22,5

Order No.: 2970028

The illustration shows a combination of versions UMK SE 11,25, UMK BE 11,25,- 22,5, -45 and UMK-FE



<http://eshop.phoenixcontact.de/phoenix/treeViewClick.do?UID=2970028>

Electronic board base, plug-in module base element

Commercial data

EAN	4017918087555
Pack	10 Pcs.
Customs tariff	85369010
Weight/Piece	0.009715 KG
Catalog page information	Page 566 (CC-2007)

Product notes

WEEE/RoHS-compliant since:
01/01/2003



<http://www.download.phoenixcontact.com>
Please note that the data given here has been taken from the online catalog. For comprehensive information and data, please refer to the user documentation. The General Terms and Conditions of Use apply to Internet downloads.

Technical data

General

Housing type	Panel mounting base
Housing material	Polyamide
Color	green

Dimensions / positions

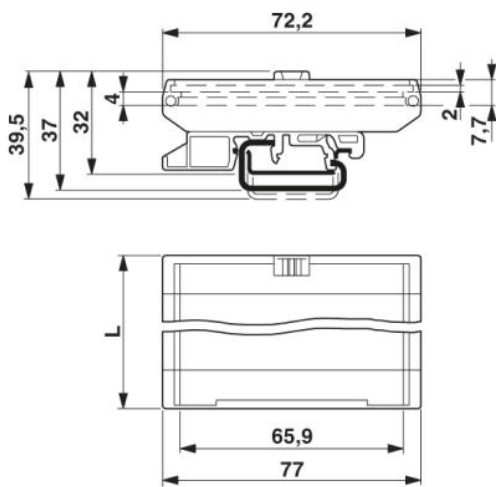
Length	77 mm
Width	22.5 mm

Technical data

Ambient temperature (operation)	-40 °C ... 105 °C
Inflammability class acc. to UL 94	V2

Drawings

Dimensioned drawing



Address

PHOENIX CONTACT Inc., USA
586 Fulling Mill Road
Middletown, PA 17057, USA
Phone (800) 888-7388
Fax (717) 944-1625
<http://www.phoenixcon.com>



© 2008 Phoenix Contact
Technical modifications reserved;